

HALOONE
HALOTHERAPY

USER MANUAL

Contents

01. Welcome to HALOONE™ Halotherapy.....	2
02. Intended Use	3
03. Safeguards	3
04. Safety Precautions	4
05. Packaging	5
06. HALOONE™ Unit	6
07. Installation	7
08. Operating the HALOONE™	9
09. Cleaning and Maintenance	12
10. Storage and Disposal	12
11. Troubleshooting	13
12. Specifications	14

I. Welcome to **HALOONE™** Halotherapy

History of Halotherapy

Halotherapy has been popular in Europe for many decades after doctors discovered that workers in the local salt mines seemed to have few respiratory ailments when compared to the general public. During and after the Second World War people started spending time in the empty salt mines with good results. Some abandoned mines were eventually turned into clinics. As the understanding of Halotherapy grew and results were documented, specialized salt machines were designed to deliver fine salt particles into a room or enclosure to replicate the atmosphere of the mines. These machines have historically been very expensive. Spas and clinics started building entire halotherapy rooms made of blocks of salt brought up from these mines or from the Himalayas. Halotherapy was first identified as a healing modality in the spa industry around 2013 and has been a growing trend since. The **HALOONE™** gives the user the opportunity to experience this healing salt regimen at home, anytime.

HALOONE™ Halotherapy

The **HALOONE™** has been designed and engineered to provide beneficial salt sessions for use in the home or sauna. The **HALOONE™** is the only Halotherapy device available today that offers our unique and proprietary salt mist delivery system (patent pending). The **HALOONE™** unit provides the optimal method to control the size and quantity of salt particles for ideal absorption. The intuitive and smart design sets the **HALOONE™** ahead of the field in both ease of use and effectiveness making it the preferred salt healing solution.

2. Intended Use

This **HALOONE™** unit is intended for dry salt inhalation solely and strictly in accordance with this Manual including (without limitation) only using **HALOONE™** salt capsules provided by the manufacturer. Users must comply with this Manual and any supplemental installation, operation and maintenance instructions provided by the manufacturer. Any other use of the **HALOONE™** is not considered in accordance with these terms and the intended use. The manufacturer/supplier is not liable for any damage to persons and/or property that may arise from improper use. The user alone incurs this risk.

The **HALOONE™** unit is designed to be used in a room up to 12' x 12' (3.5m x 3.5m). The **HALOONE™** can also be used inside a sauna up to a maximum temperature of 140°F (60°C) for no more than one consecutive hour. The **HALOONE™** unit is not designed for continuous use in the sauna and should be removed after each use if the sauna is used for multiple sessions in a day.

The **HALOONE™** unit will provide a fine salt mist in any room or sauna where it is operated. Care should be taken to cover, seal and/or remove any electronic equipment or objects that could be affected by fine salt particles. Please let common sense guide you when choosing which rooms to use the **HALOONE™**. With normal use, the **HALOONE™** should not cause any problems to the room environment, but manufacturer/supplier assumes no liability or responsibility for any claims or damages that may arise except as expressly set forth in the **HALOONE™** warranty.

3. Safeguards



During a single session, the **HALOONE™** can distribute approximately 20ml of 3% saline in aerosol form. Saline mist can have a corrosive effect on various materials such as metal, concrete and electronic devices. Those items may be damaged as a result and should not remain near the **HALOONE™** while in operation.

- The **HALOONE™** can be mounted to a wall or placed on a level and flat surface. When wall mounting the unit, please make sure it is level.
- Only use saline capsules provided by **HALOONE™**. Using other solutions may have adverse effects on functionality and damage the device.
- We recommend regular cleaning and vacuuming of surfaces in the room the unit is operated in to remove any salt dust.
- The **HALOONE™** can be operated when plugged in to an electrical outlet or using the internal rechargeable battery. Please ensure that the operating environment is within specifications indicated in this manual.

4. Safety Precautions



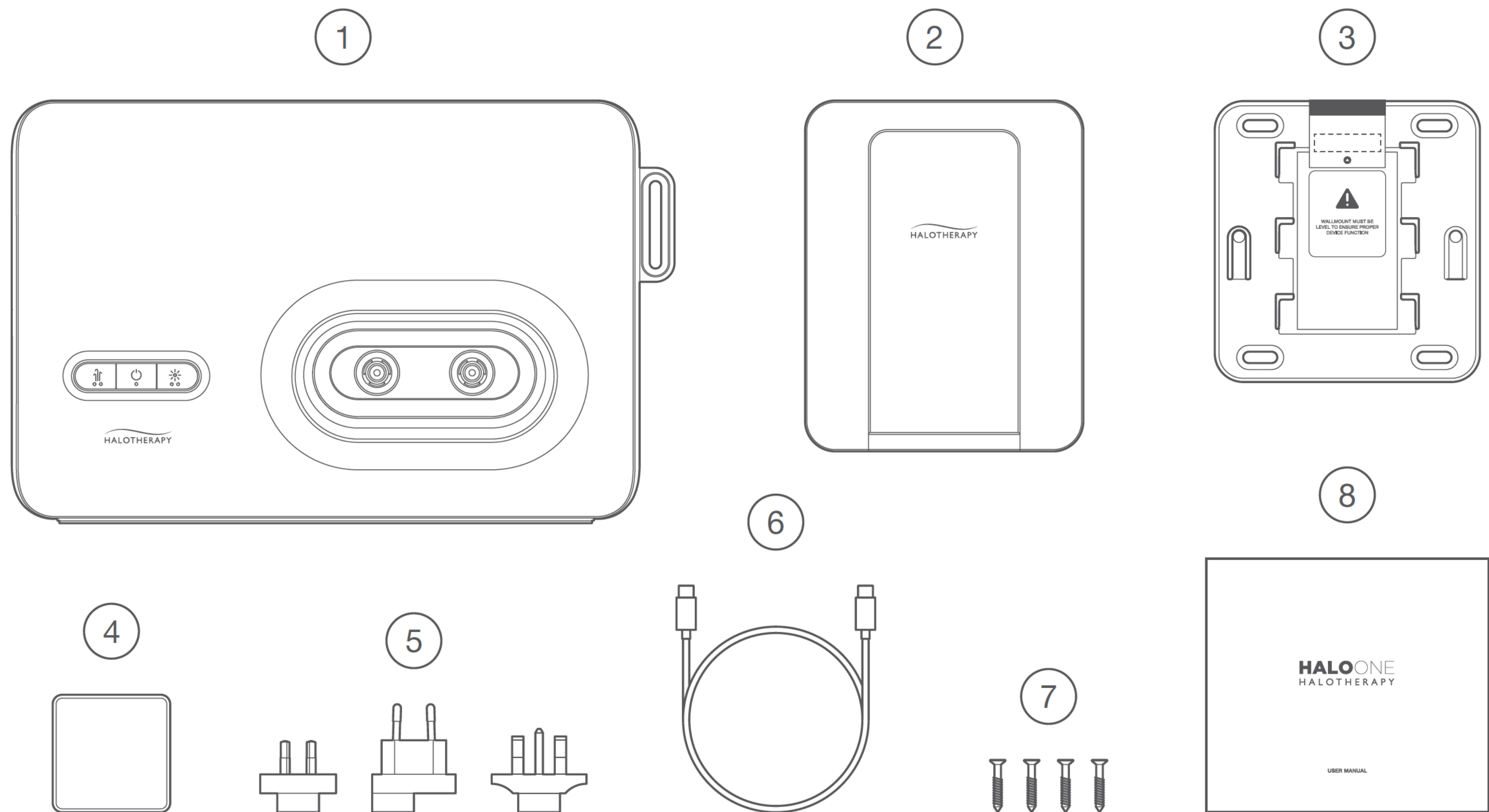
Please read the following thoroughly before using the **HALOONE™**:

- The **HALOONE™** is not intended for use by persons (including children) with reduced physical, sensory or mental capabilities, or lack of experience and knowledge, unless they have been given supervision or instruction concerning use of the appliance by a person responsible for their safety.
- Please install the unit according to the installation instructions.
- Do not damage or modify the power adapter and USB charging cable.
- Do not install the power adapter or cable if damaged.
- Do not pull on the cable when unplugging the power adapter or from unit.
- Do not plug in or unplug the adapter or the cable with wet hands.
- Do not drop the unit or subject it to shock.
- Do not modify the unit. Also, no one other than an authorized service technician should take apart or repair the unit.
- Do not touch the metal blade inside the capsule holder opening, to avoid personal injury.
- Keep out of reach of children from 8 years or below.
- The **HALOONE™** is only to be used and charged with the power adapter provided.
- The unit contains batteries that are only replaceable by an authorized technician.
- **HALOONE™** is intended for use at temperature between 50°F and 140°F (10°C and 60°C). Do not leave it in environment above 140°F (60°C).
- Do not use liquid other than **HALOONE™** saline solution. Doing so may damage the device and may be hazardous to the user.
- Do not use excessive force when touching any metal outlets. Doing so may cause the unit to malfunction.
- Do not use if the unit itself, the power adapter or charging cable are damaged or defective.



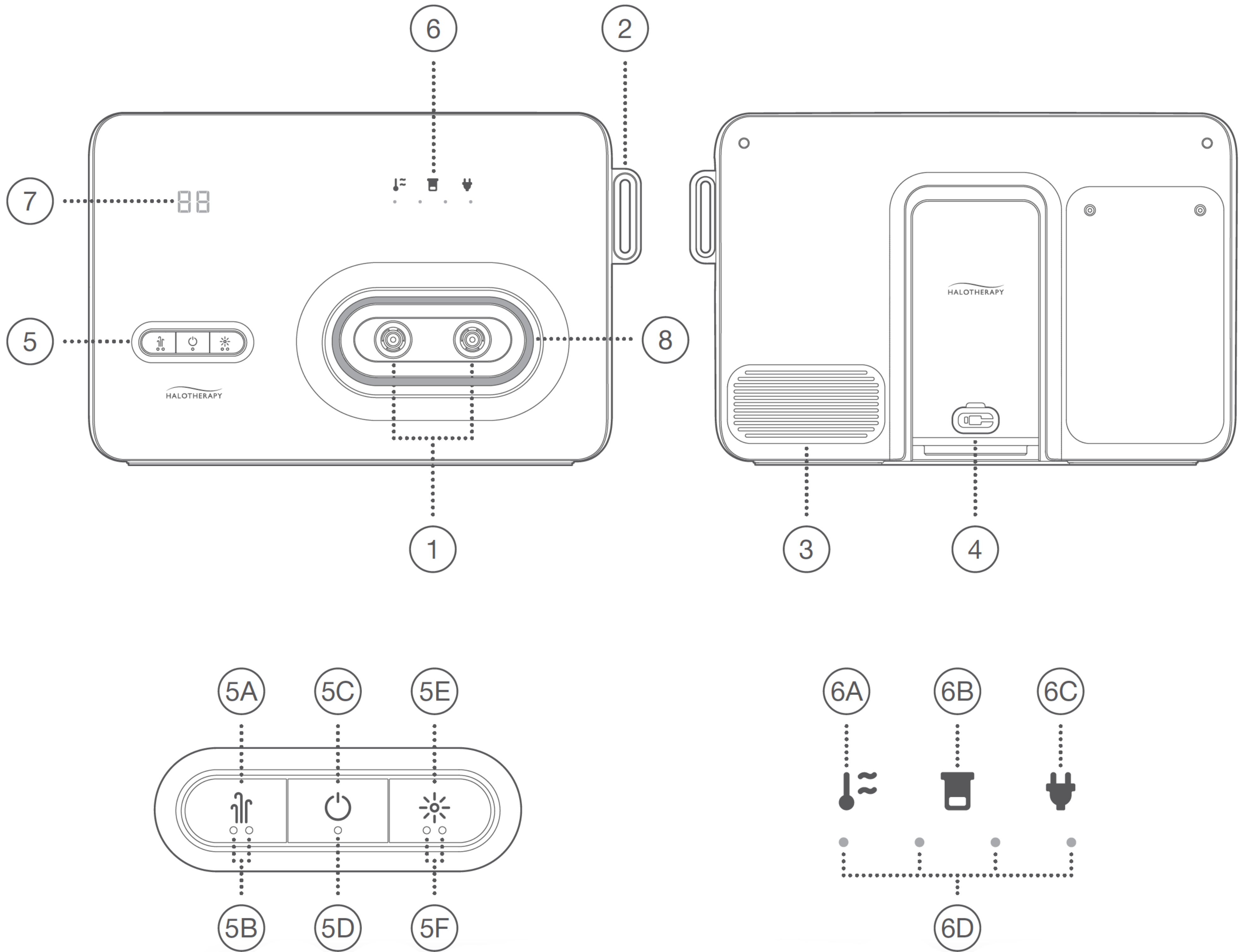
Read this manual carefully and completely and retain for future reference. Failure to adhere to safety instructions may result in serious injury or damage.

5. Packaging



- | | | | |
|---|----------------------------|---|---------------------------------|
| 1 | HALOONE™ Main Unit | 5 | Optional Plug (region specific) |
| 2 | Wall Mount Bracket (front) | 6 | USB-C Cable |
| 3 | Wall Mount Bracket (back) | 7 | Wall Mount Screw x4 |
| 4 | Power Adapter | 8 | User Manual |

6. HALOONE™ Unit



Main Unit

- ① Mist Outlet
- ② Saline Capsule Holder
- ③ Air Inlet
- ④ Charging Port

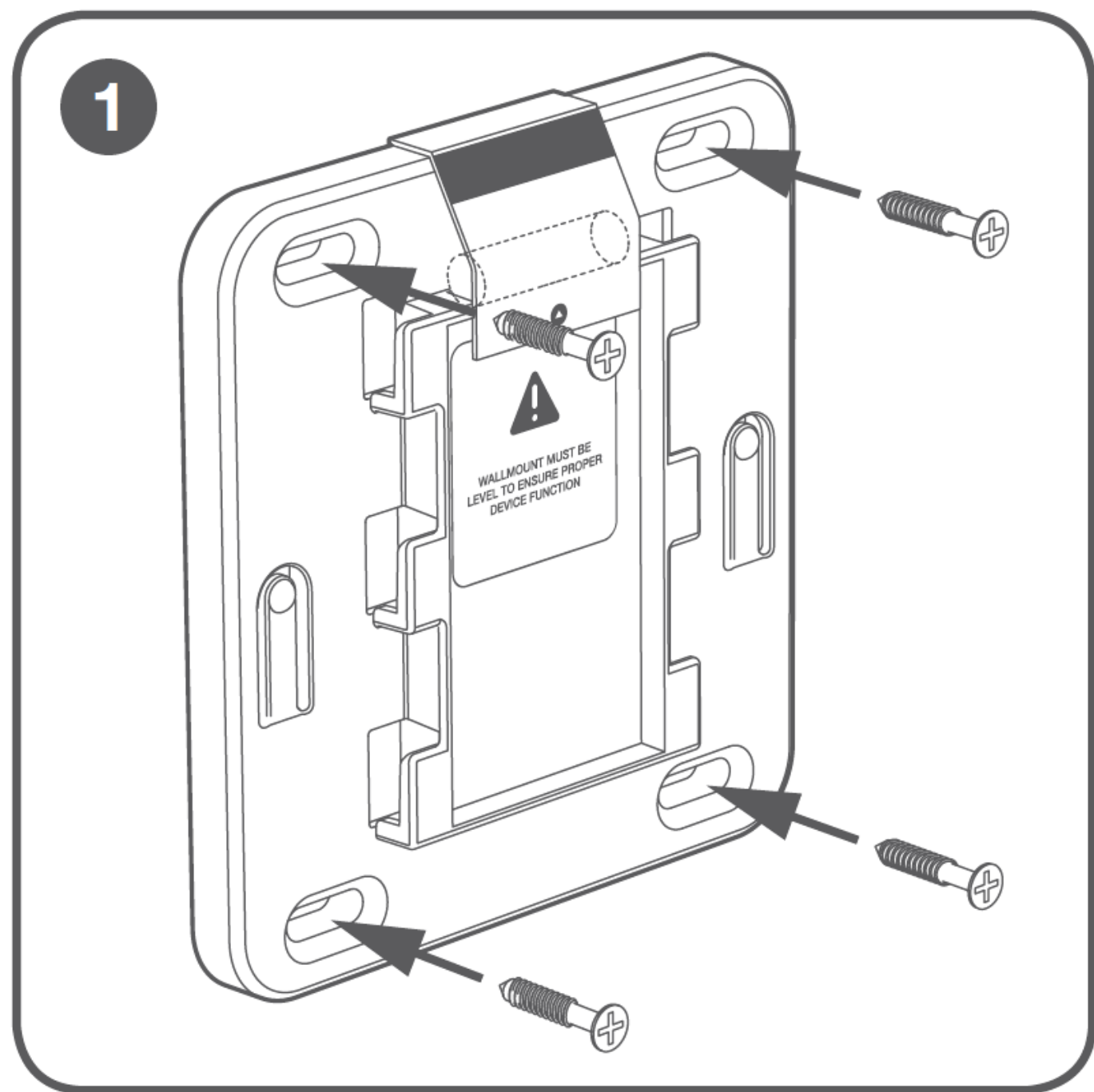
User Interface

- ⑤ Control Panel
 - ⑤A Fan Switch
 - ⑤B Fan Hi/Lo Indicator
 - ⑤C Power Switch
 - ⑤D Device Status Indicator
 - ⑤E Emotive Light Switch
 - ⑤F Emotive Light Operation Mode Indicator
- ⑥ Indicator Panel
 - ⑥A Overheating Indicator
 - ⑥B Empty Water Tank Indicator
 - ⑥C Charging Indicator
 - ⑥D Battery Level Indicator
- ⑦ Timer
- ⑧ Emotive Light

7. Installation

Wall Mount

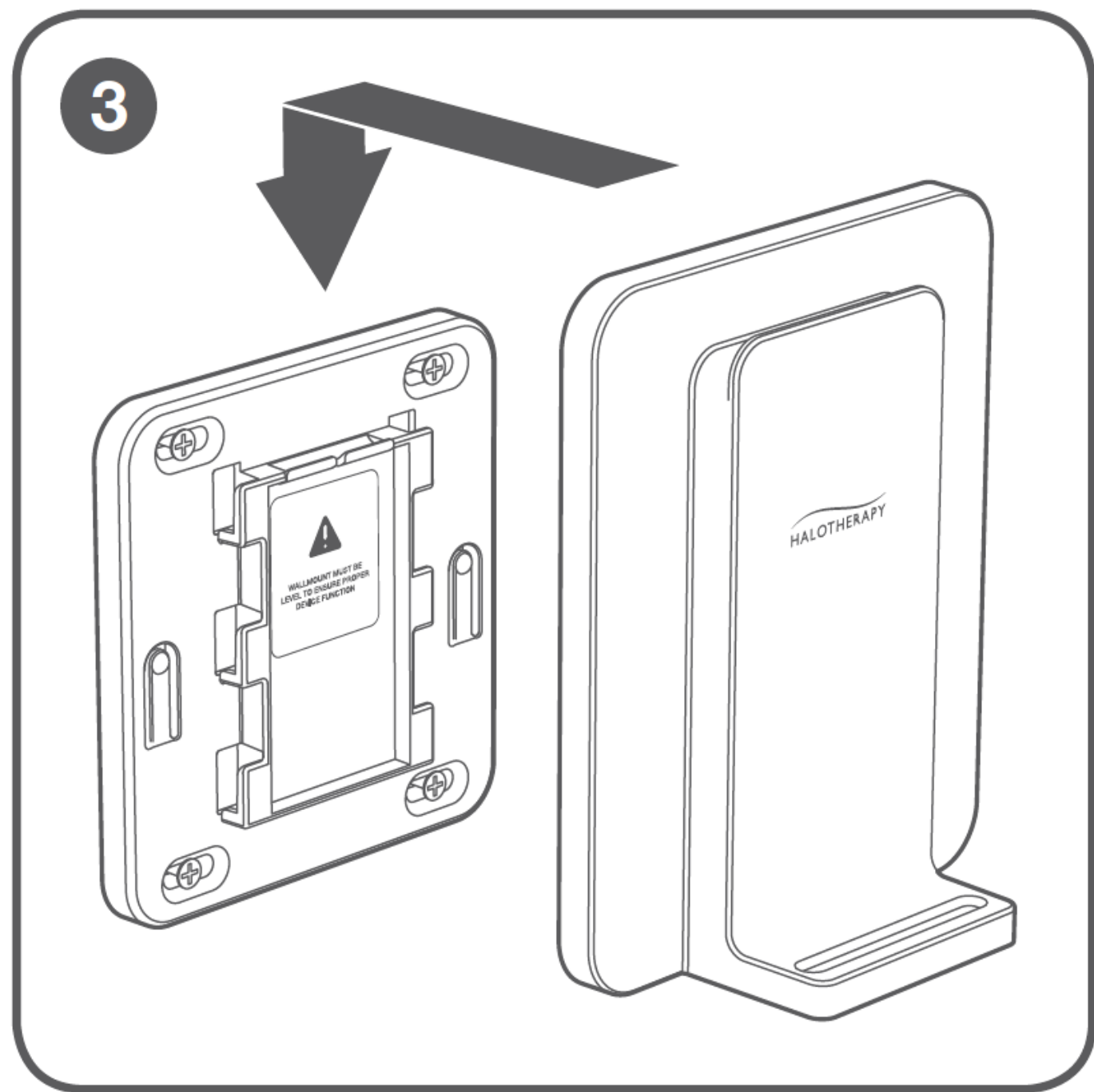
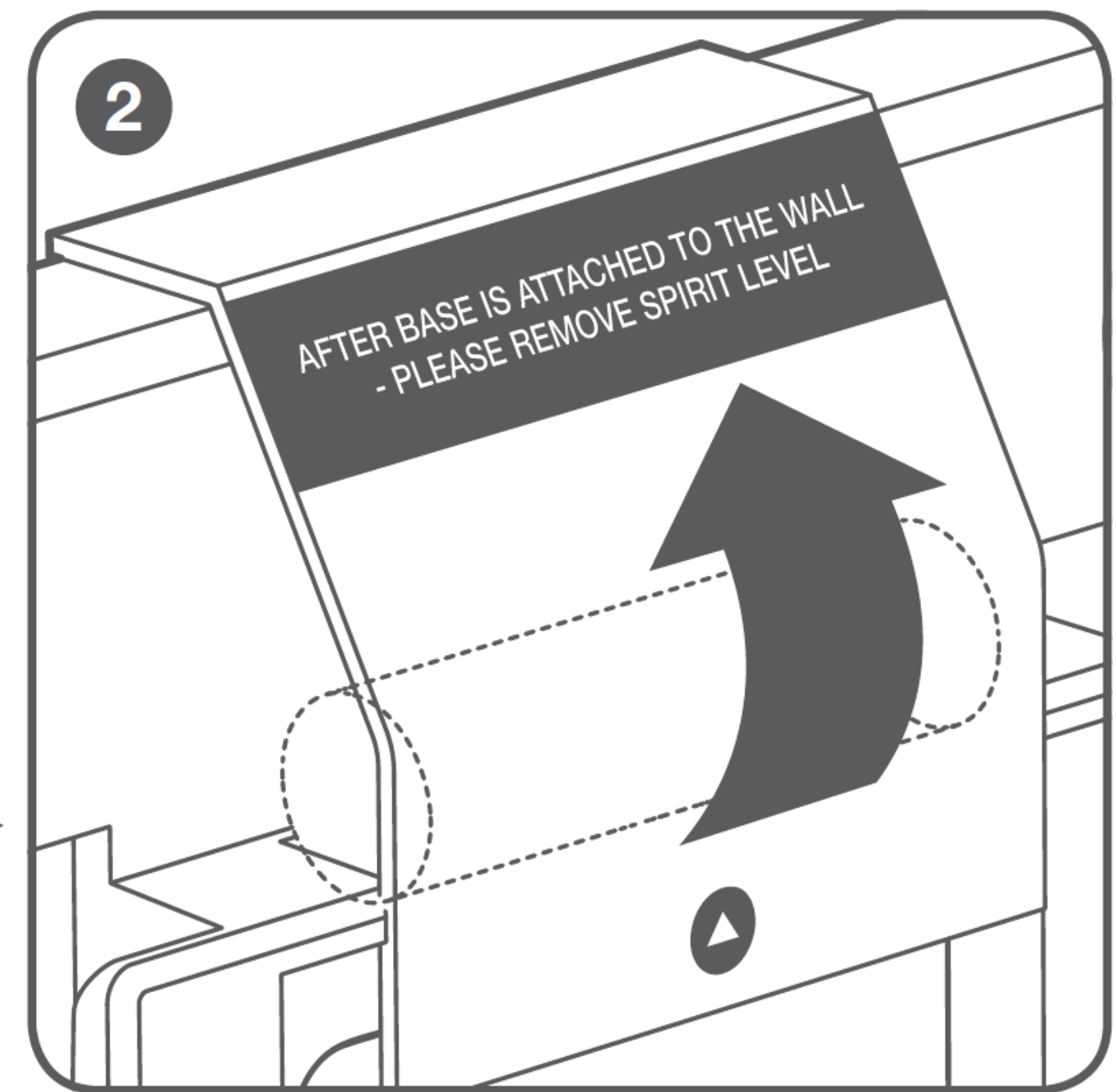
The **HALOONE™** can be installed on a wall using the included wall mount. Care should be taken to make certain that the wall chosen for installation of the mounting bracket does not contain electrical lines or water pipes directly behind where the screws will be inserted.



◀ Screw the wall bracket to the desired wall using the included screws

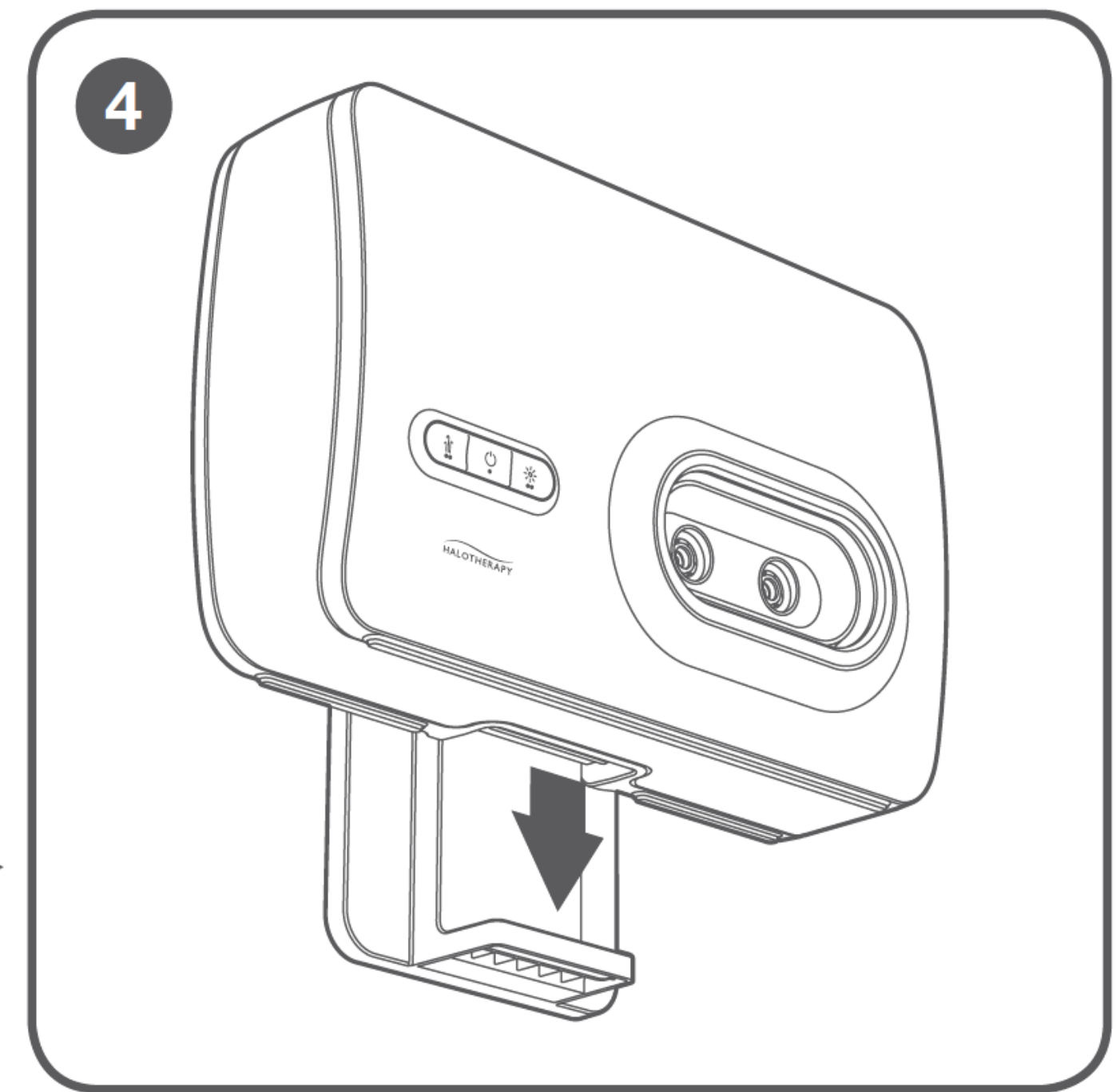
* Ensure that wall mount base is level using the included level

▶ When using the unit in a sauna we recommend removing the level from the wall mount



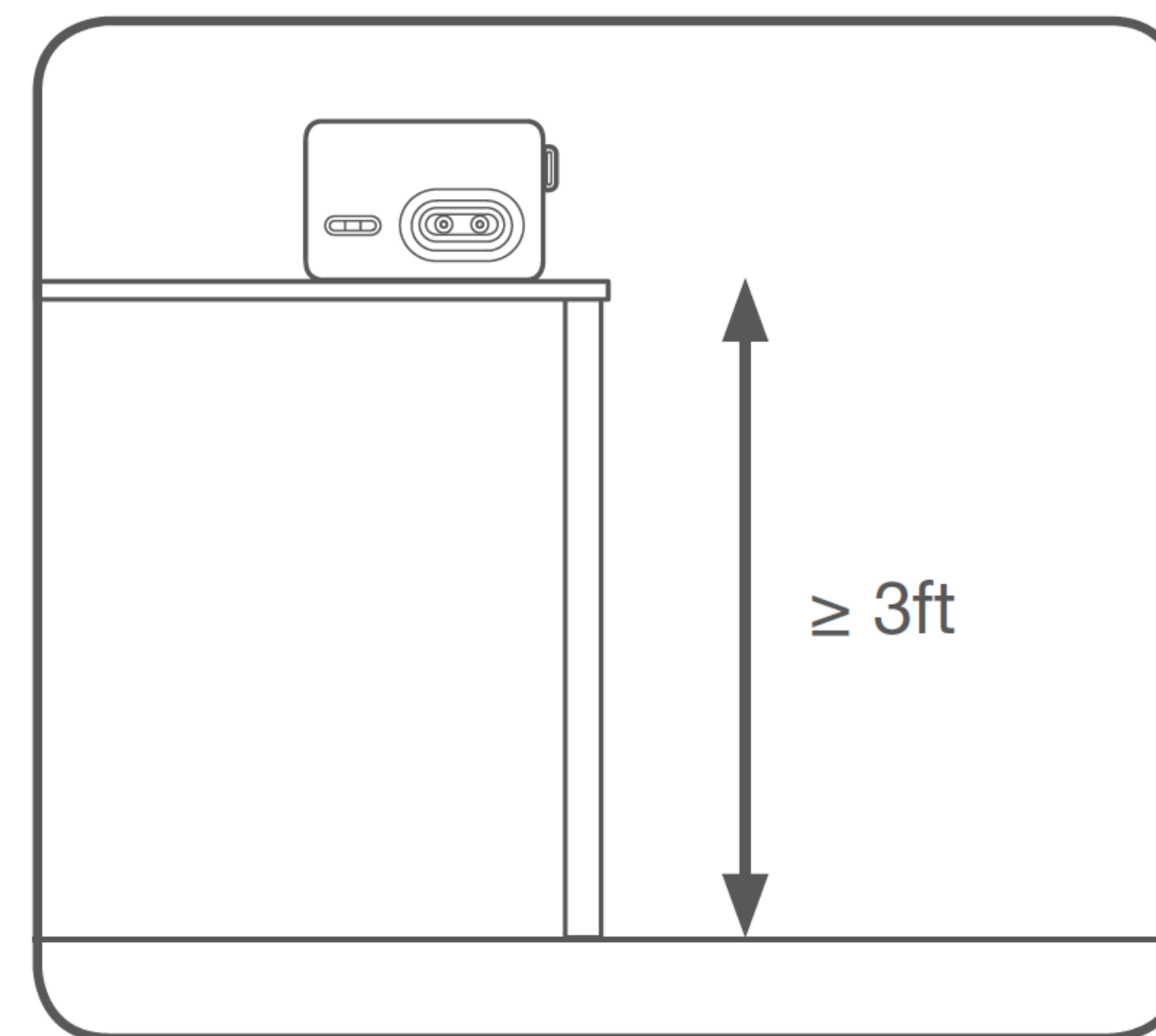
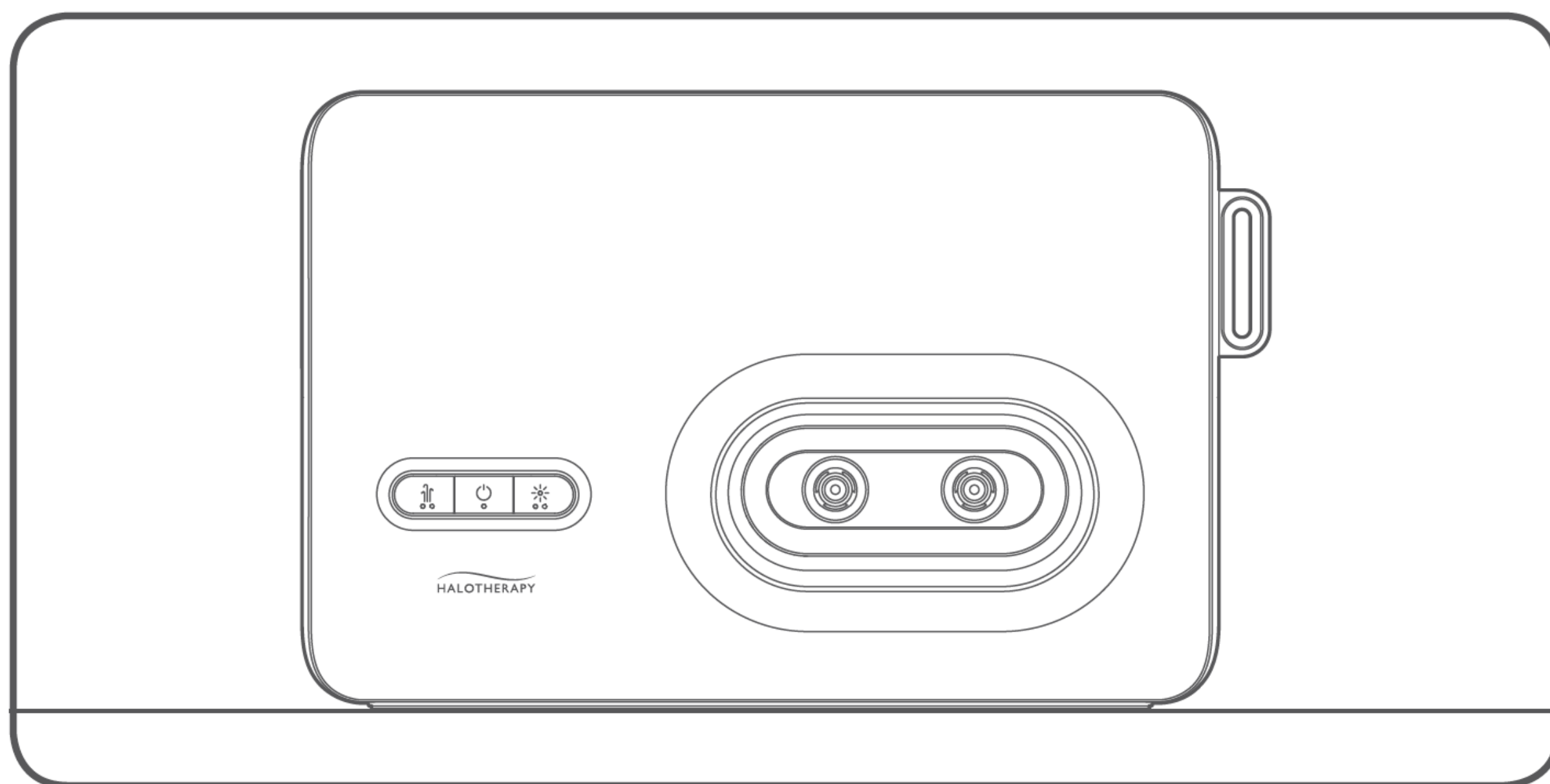
◀ Attach the wall mount 4 cover to the bracket

▶ Dock the main unit onto the wall mount



Tabletop Placement

The **HALOONE™** can be run while placed on any flat and stable surface. We recommend placing the unit a minimum of three feet or higher from the floor for maximum dispersion of the salt.

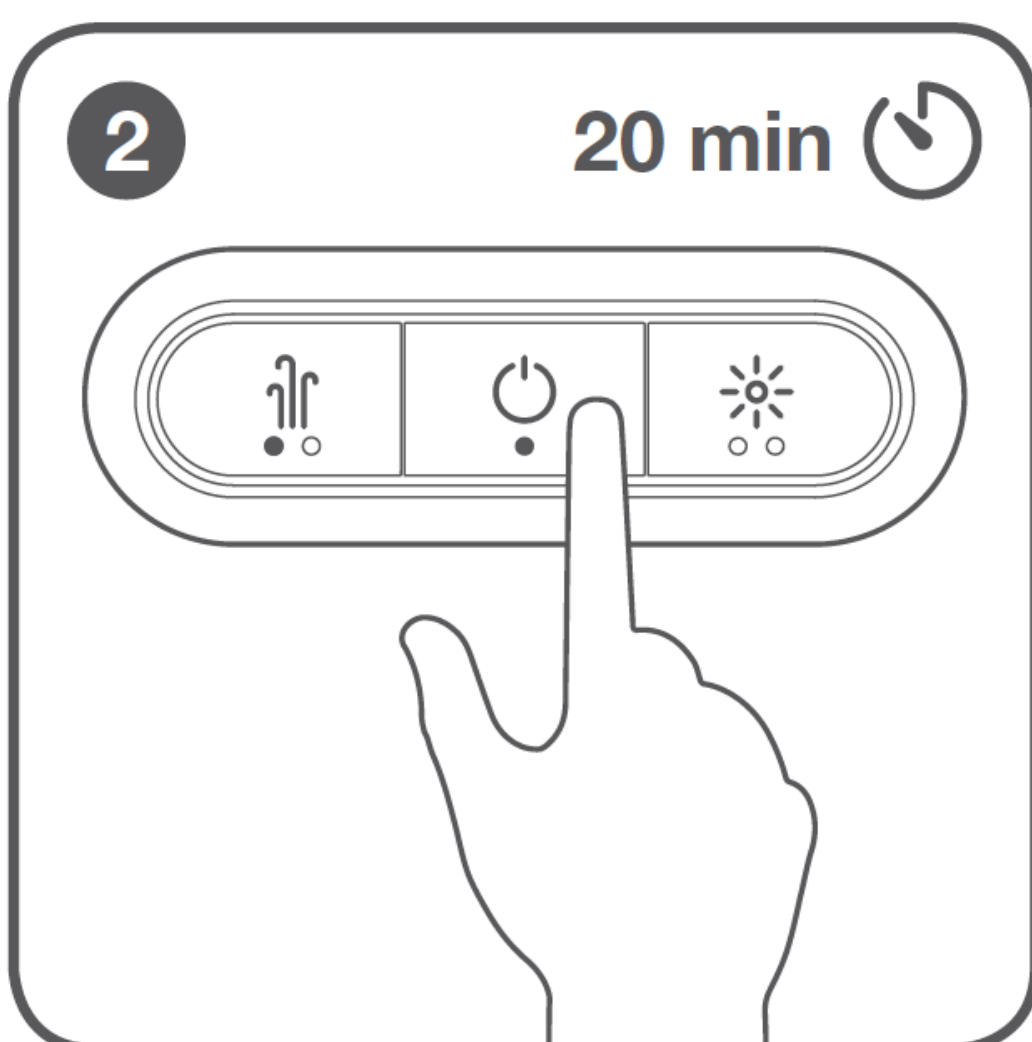


8. Operating the HALOONE™

Starting a new session



When the power adapter is not connected the unit will automatically turn off in 1 minute if it is not operating, to conserve the battery life.



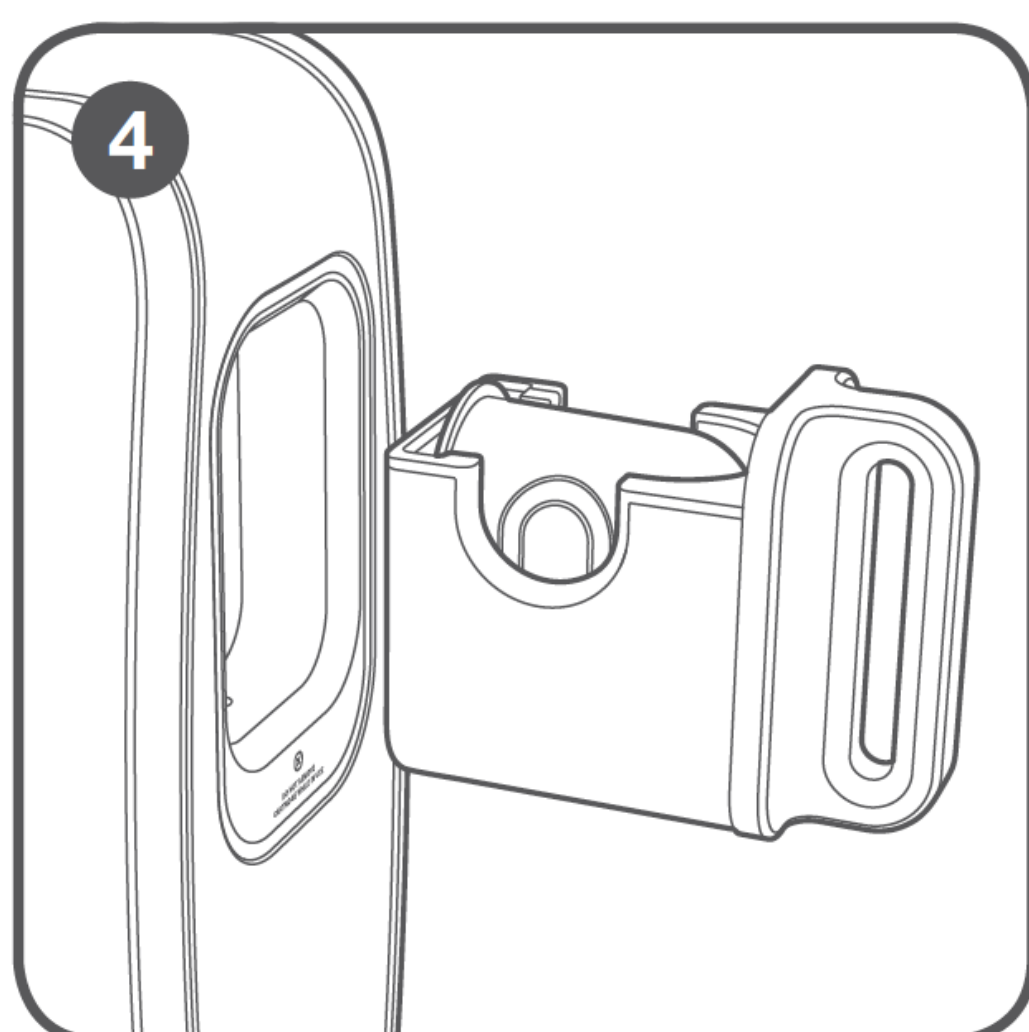
To turn on the HALOONE™, press and hold the POWER button for 2 seconds.

- The unit is now in Stand-By mode.
- Press the POWER button one more time and the unit will turn on.
- The status indicator is blue when the unit is on.
- The timer will start counting down.



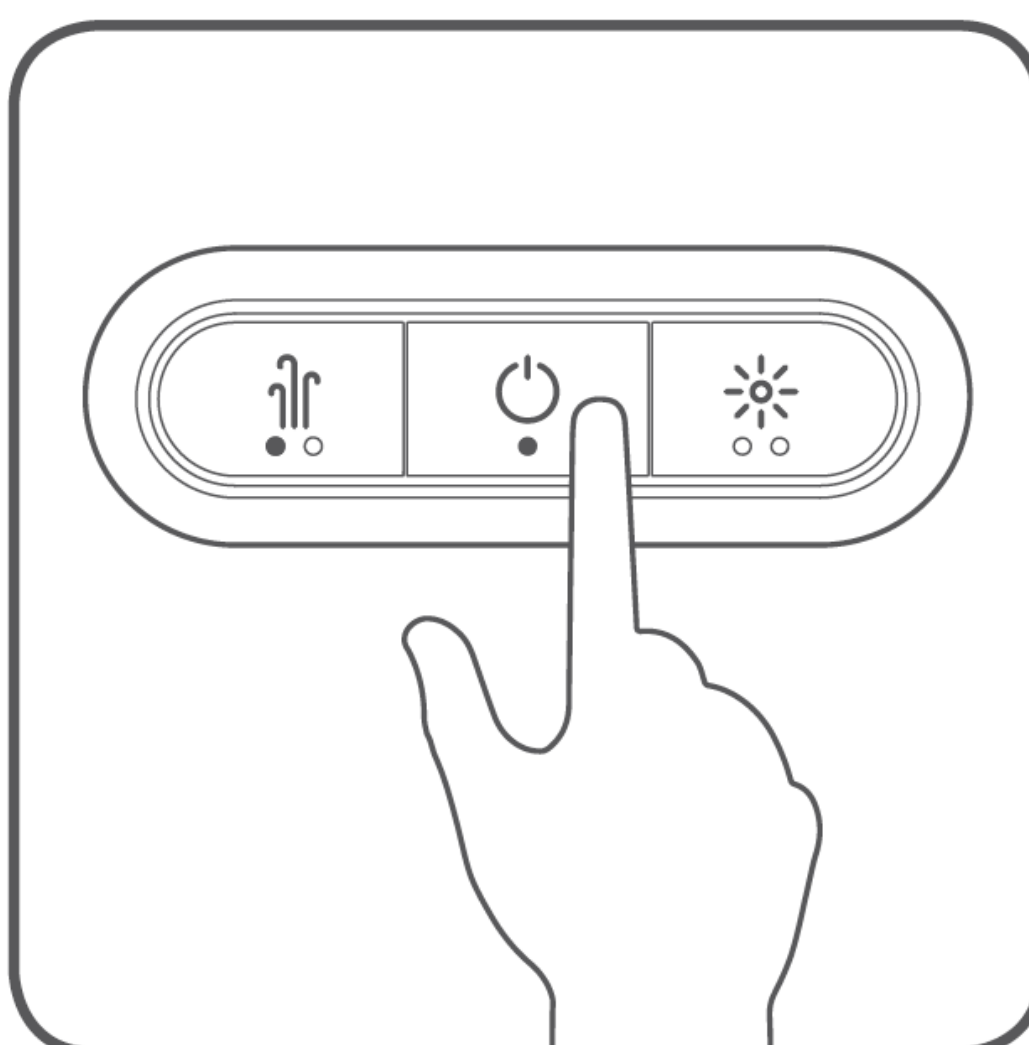
If the unit's internal saline solution level is low or empty, the session will not start:

- The status indicator will blink blue.
- The empty tank indicator will turn on.



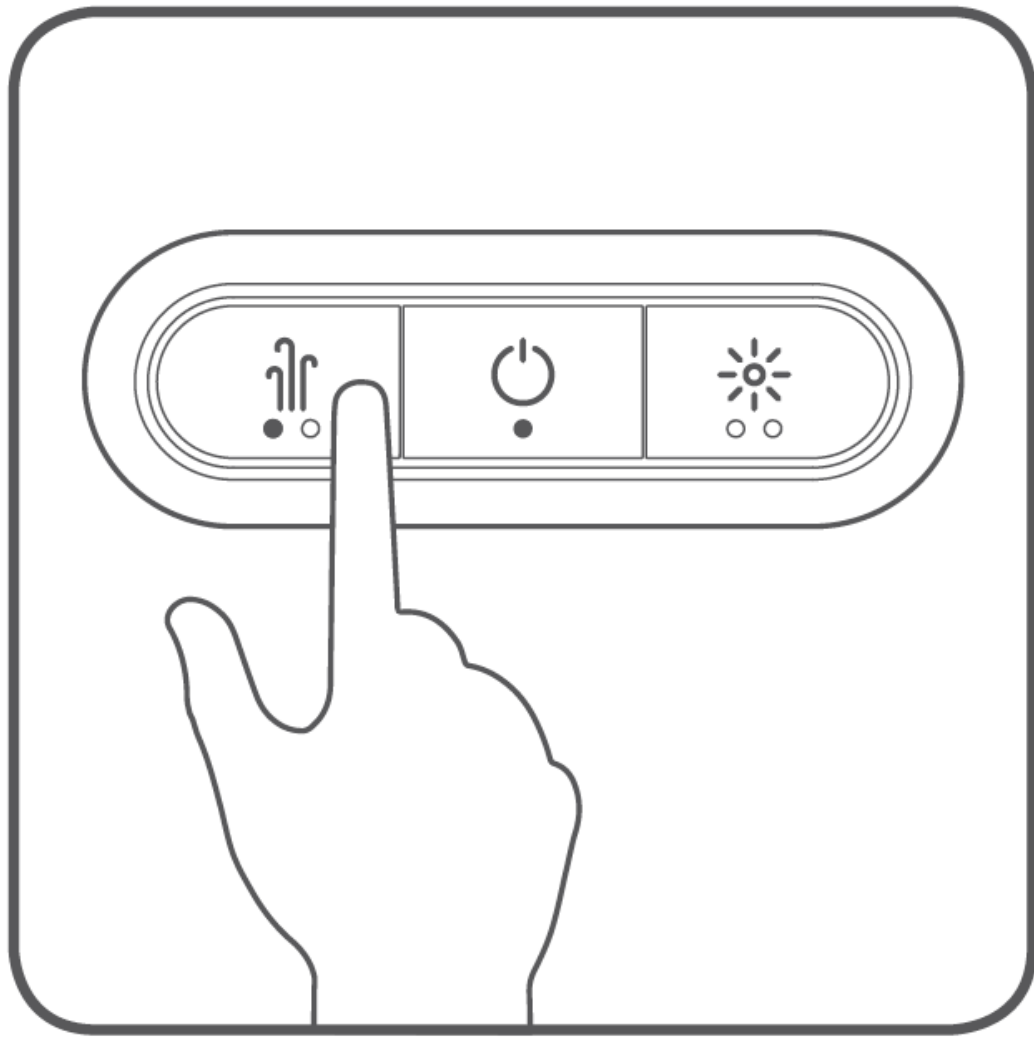
When the unit is empty:

- Remove the saline capsule holder and remove the empty capsule if still in the unit.
- Place one saline solution capsule into the holder.
- Insert the capsule holder back into the device.
- The empty tank indicator will turn off.



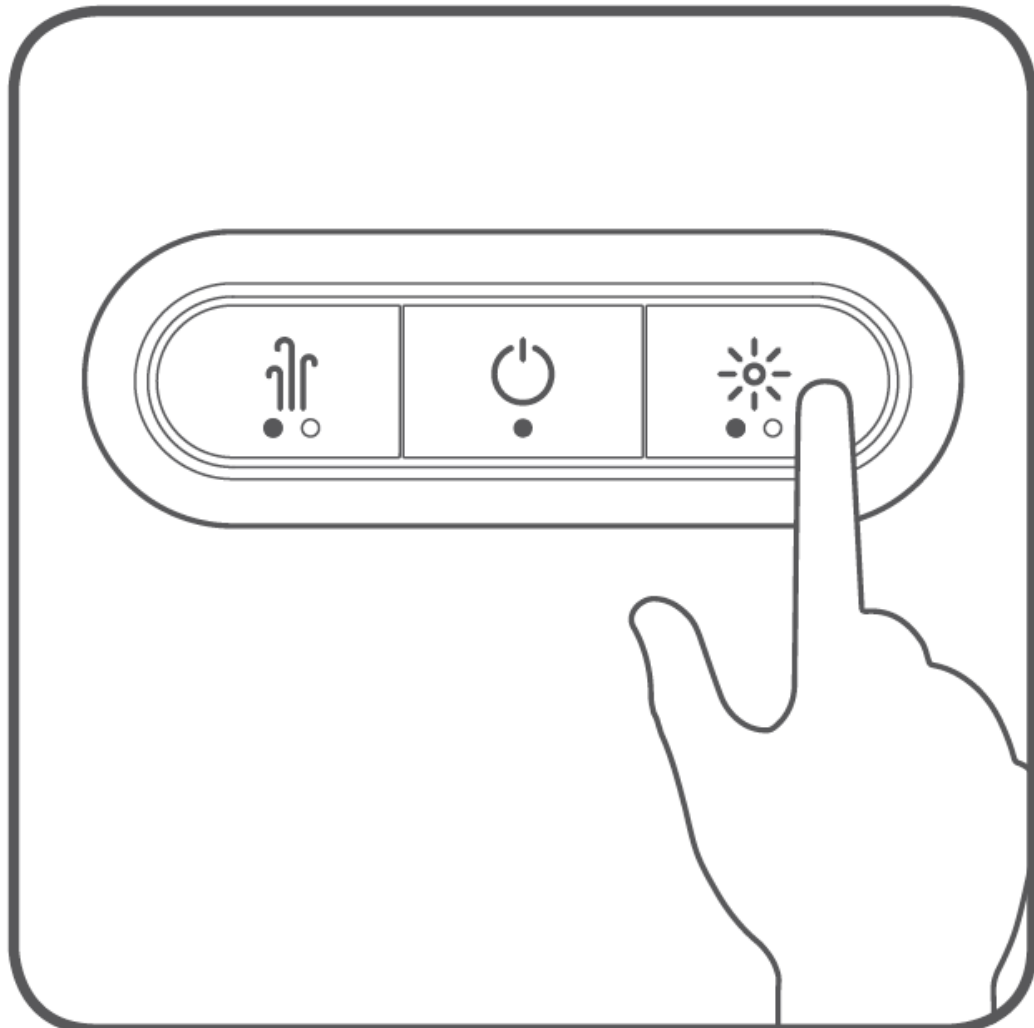
Pausing A Session

- The session stops automatically when the water tank is empty.
- You can also press and hold the POWER button for 2 seconds to pause your session.



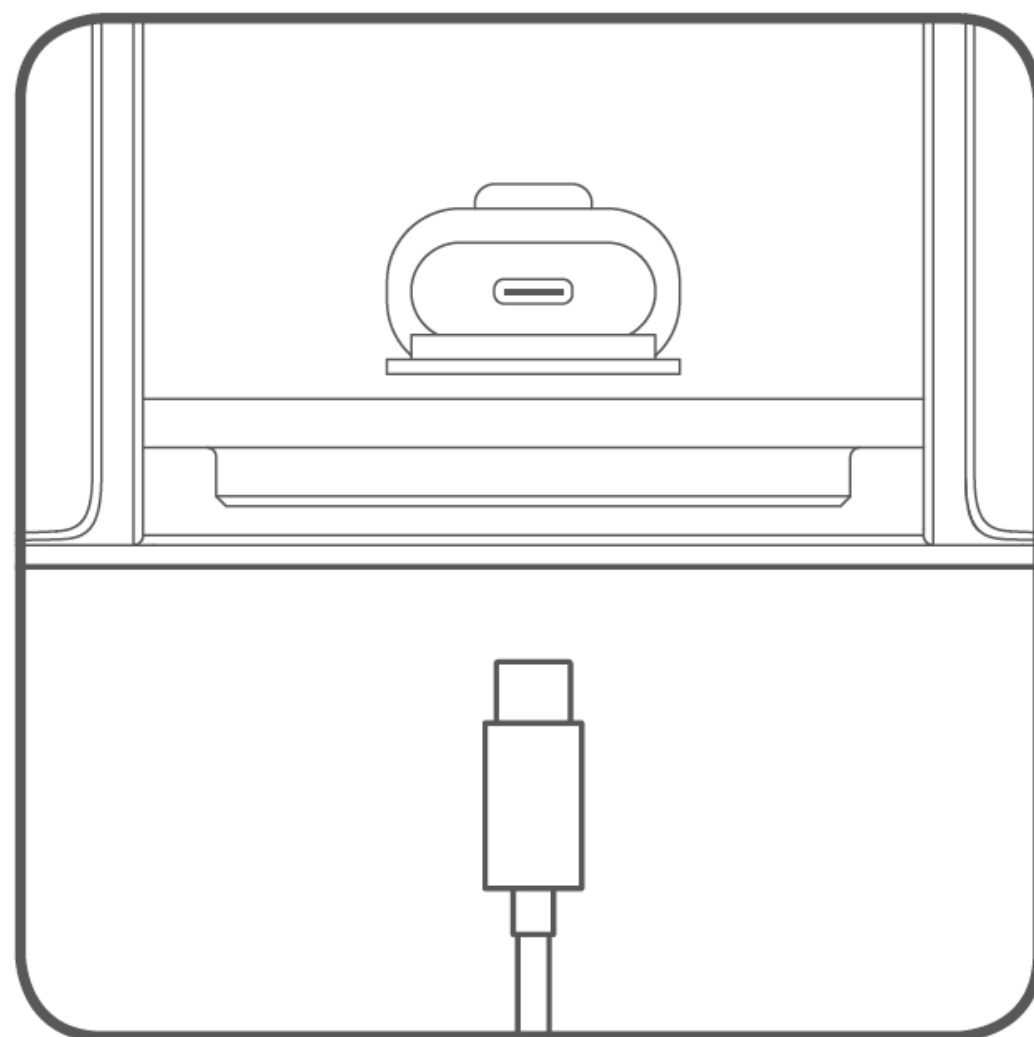
Fan Control

- The internal fan increases the saline mist distribution.
- When the session starts the fan is set to low speed.
- Toggle the fan speed between high and low by pressing the fan button.
- The fan speed indicator changes accordingly.



Emotive Light Control

- The relaxing emotive light works in 3 modes:
 - a. Breathing
 - b. On
 - c. Off
- When the session starts the emotive light defaults to breathing mode.
- Press the emotive light button to cycle through the different modes.
- The indicator will change accordingly.



Charging The HALOONE™

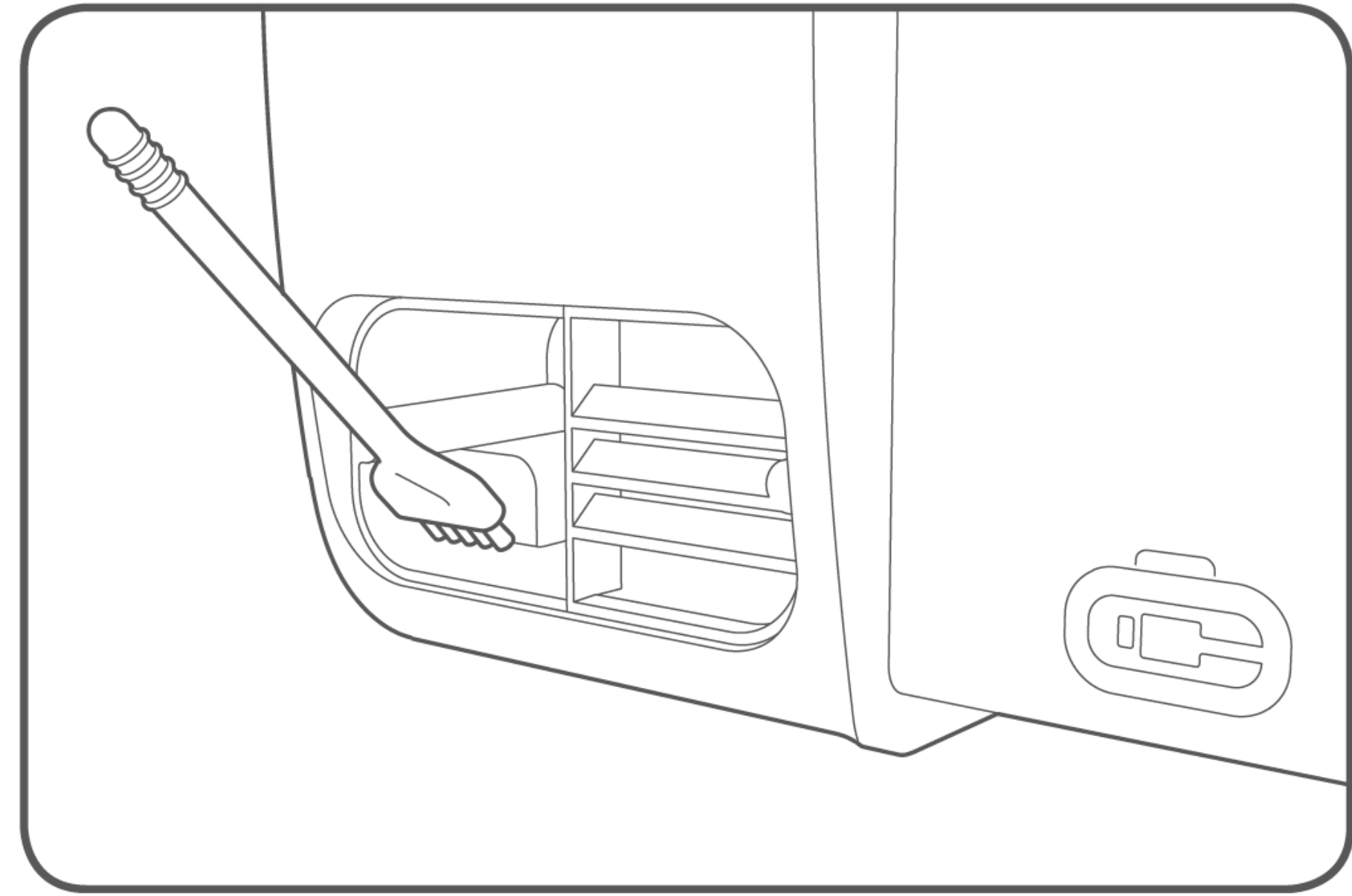
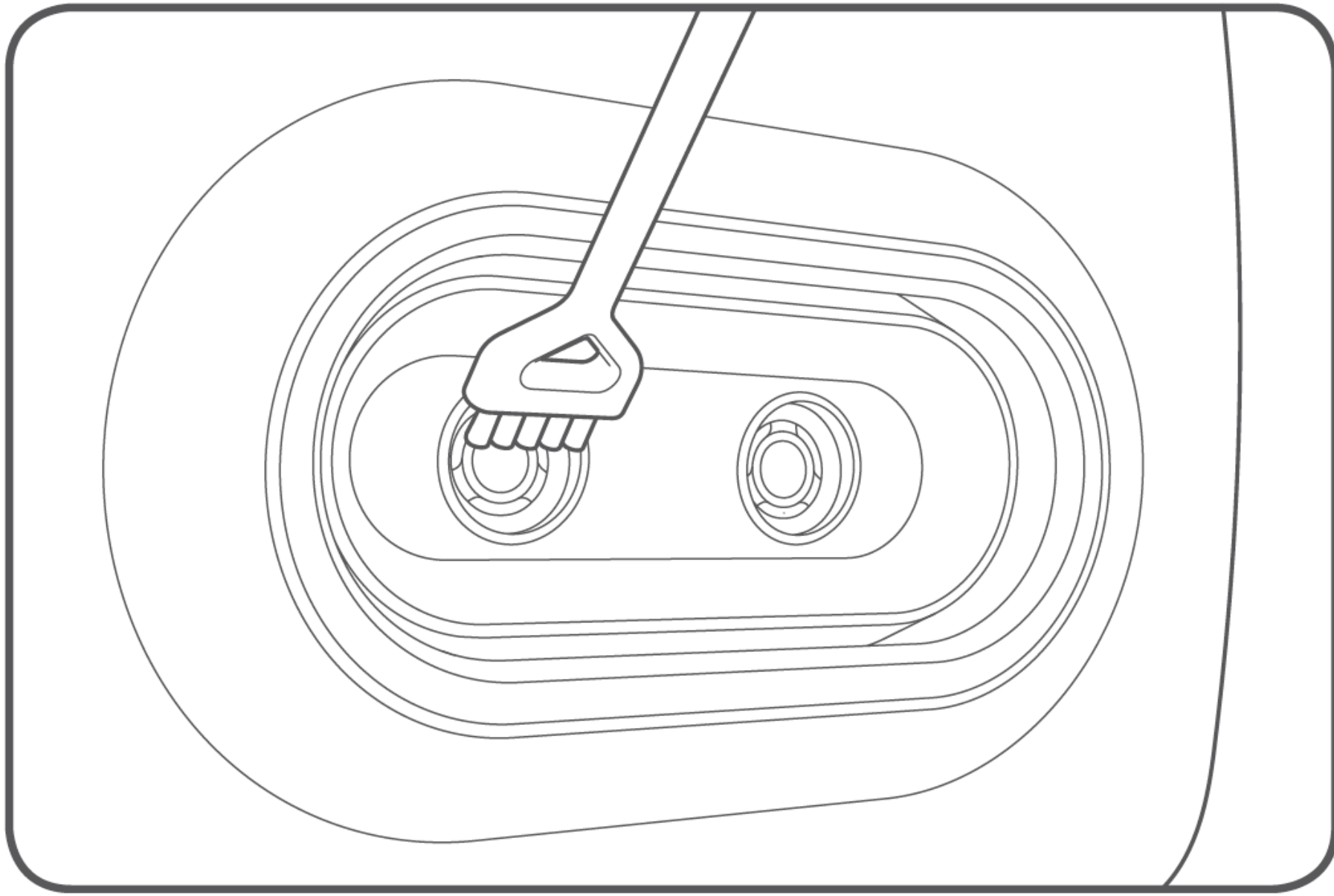
- Connect the USB-C cable to the power adapter.
- Open the rubber cover that conceals the charging port and insert the end of the USB-C cable into the unit.
- Plug the power adapter into an electrical outlet.
- The unit is charging when the battery level indicator blinks.
- When the unit is fully charged, the charging indicator will turn off and the battery level indicator will stop blinking.

9. Cleaning and Maintenance

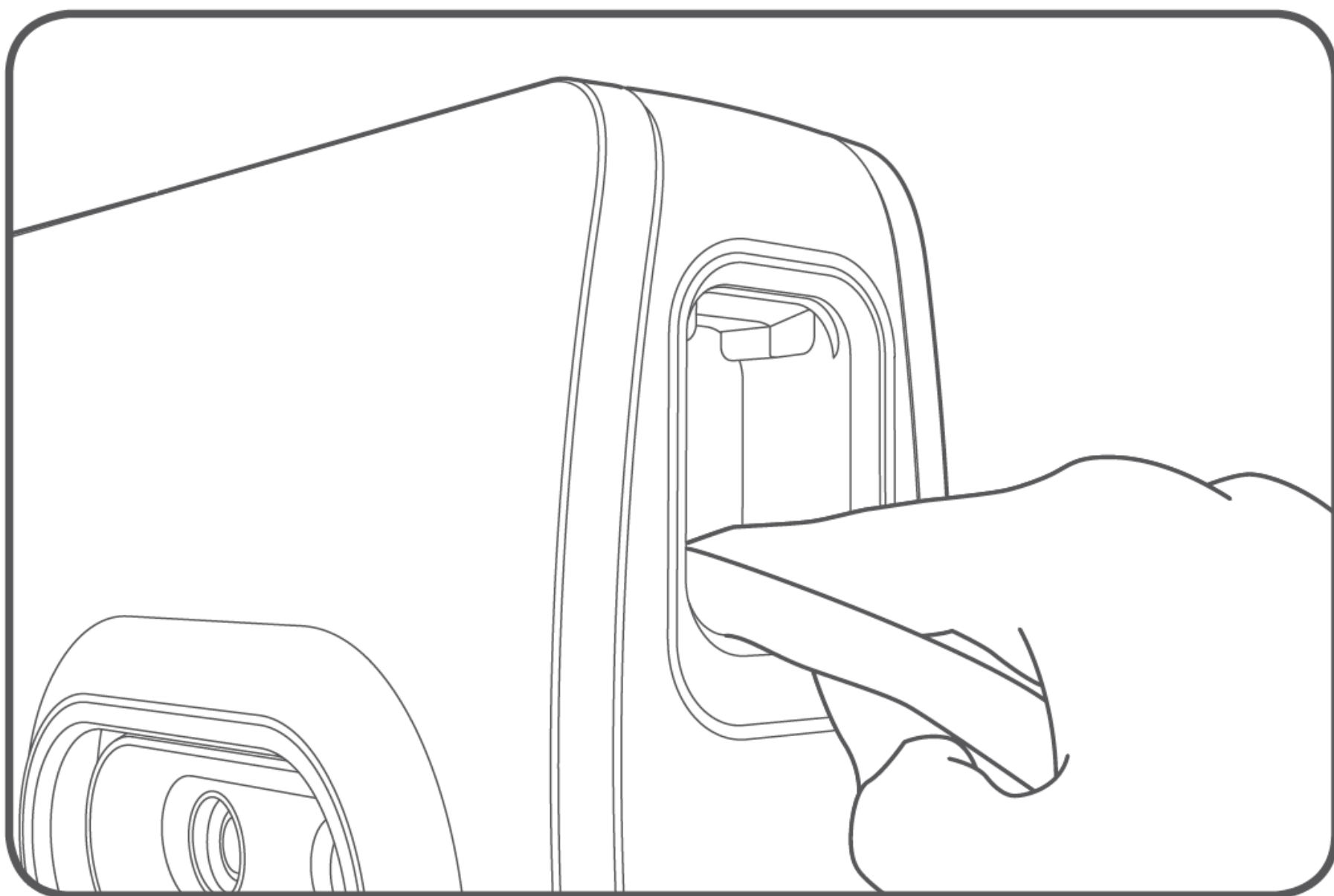
The air inlet can be opened to clean any salt residual.

- Gently brush the outlet area and air path to clean any residual salt.

*Cleaning brush is included in the Saline Solution Capsule Pack.



- Use a clean soft cloth with a neutral detergent or lukewarm water to clean the capsule holder opening.



DO NOT touch or push the metal outlet nozzle with excess force. Doing so may damage the unit. 

Important Note:

DO NOT submerge the unit in water. This will damage the unit.

10. Storage and Disposal

If you will not be using the unit for a prolonged period, please store the unit after performing the following procedure:

1. Unplug the power adapter and charging cable if connected.
2. Remove the saline capsule holder and empty out all of the saline solution still in the device.
3. Leave the unit open overnight so the internal parts can dry.
4. Do not store this product in areas with high temperatures or humidity.

Please dispose of this product and packaging in accordance with local regulations.

11. Troubleshooting

Check the following if the product appears to be broken or operating abnormally. Please contact us at info@infraredsauna.com if you have any questions about your unit.

<p>No power. The product won't turn on</p>	<p>Is the battery discharged?</p> <ul style="list-style-type: none"> • Plug in the power adapter to charge the device Is the power adapter correctly connected? • Check if the power adapter/cable is connected to unit and the electrical outlet • Check if you are using the power adapter/cable supplied with the unit
<p>Unit turns on for a short time, then turns off</p>	<p>Is there enough saline solution in the water tank?</p> <ul style="list-style-type: none"> • Insert a new capsule Is the battery discharged? • Check the battery level indicator • Plug in the power adapter to charge the device
<p>The unit turns on, but you cannot start a new session</p>	<p>Is there enough saline solution in the water tank?</p> <ul style="list-style-type: none"> • Check indicator and replace capsule if necessary <p>Is the environment too hot or too cold?</p> <ul style="list-style-type: none"> • Check if the over temperature indicator is on • Remove the device from hot / cold environment <p>Is the battery discharged?</p> <ul style="list-style-type: none"> • Check the battery level indicator, the device is designed so that it cannot be started if the battery level is too low to protect the battery
<p>The product will not charge</p>	<p>Is the power adapter correctly connected?</p> <ul style="list-style-type: none"> • Check if the power adapter/cable is connected to unit and the electrical outlet • Check if you are using the power adapter/cable supplied with the unit Is the environment too hot or too cold? • Check if the over temperature indicator is on • Remove the device from hot / cold environment

I2. Specifications

Product name	HALOONE™
External Dimensions	13 × 8.7 × 4 in (330 × 221 × 103 mm)
Unit Weight (Main Unit)	4.4 lbs (2 kg)
Power Source	1. Dedicated 45W USB PD power adapter Power supply 100~240V AC 50/60Hz Output: 15V 3A 2. Internal 5000mAh Lithium battery
Operating Temperature	50°F~104°F (10°C ~40°C)
Main Unit Power Consumption	Approximately 35W
Accessories	Wall Mount Bracket, Power Adapter, Optional Plug (region specific), USB-C Cable, Screws, User Manual

Manufactured by

Clearlight Infrared
1077 Eastshore Hwy
Berkeley, CA 94710 USA
+1-510-601-1775
info@infraredsauna.com

© 2020 Clearlight Infrared

Distributed by

Clearlight Saunas International Pty Ltd
2/78 Rajah Road,
Ocean Shores, NSW 2483
1800 957 150
info@infrared-sauna.com.com.au

© 2019 Jacuzzi Saunas Australia

This device complies with part 15 of the FCC Rules. Operation is subject to the following two conditions:
(1) This device may not cause harmful interference, and (2) this device must accept any interference received, including interference that may cause undesired operation.

Changes or modifications not expressly approved by the party responsible for compliance could void the user's authority to operate the equipment.

“**HALOONE**” and the **HALOONE** logo are the trademark of Clearlight Sauna



HALOTHERAPY