

## What You'll Need:

- Philips Head Screwdriver
- Step Ladder

**Important:** Unplug the sauna before proceeding. **Read all steps before starting.**

**\*Note:** Our drawings are based on Sanctuary 3. Depending on your sauna model, your roof may look different from the drawing.

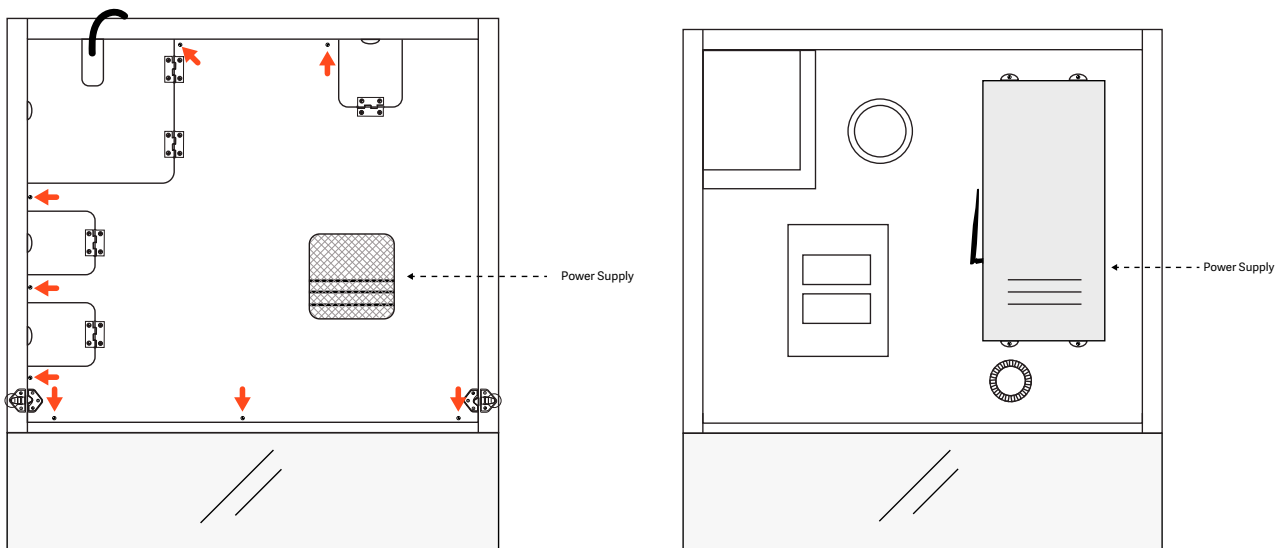
Steps:

### 1. Access the Power Supply

Use a step ladder to reach the roof of the sauna. The power supply is located under the mesh screen cutout in the roof panel. The physical location will vary depending on sauna model

### 2. Remove the Roof Cover

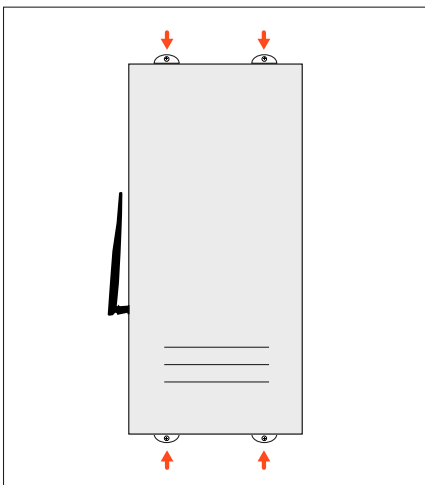
Unscrew the roof cover to expose the power supply.



### 3. Unscrew the Old Power Supply

Unscrew the four screws securing the old power supply.

**Important:** Do not disconnect any wire connectors or remove the old power supply yet.

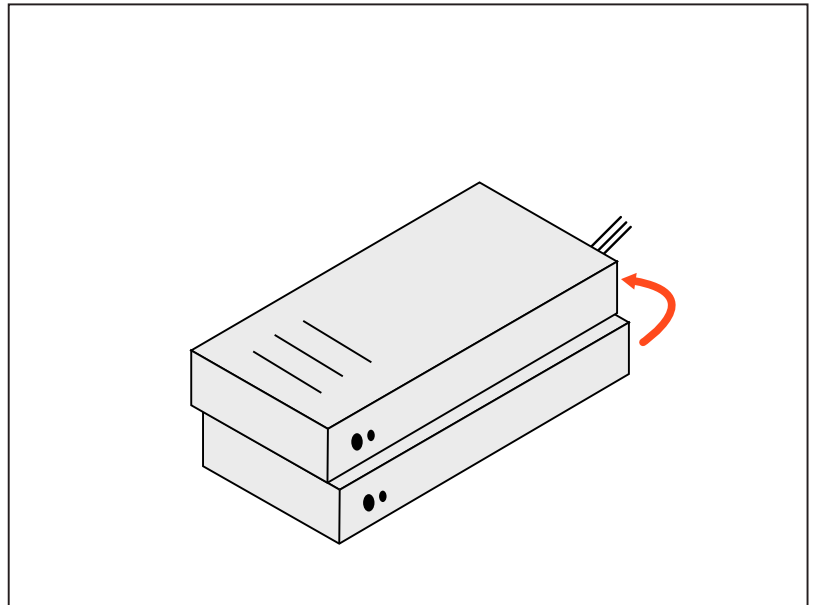


## 4. Position the New Power Supply

Place the new power supply on top of the old one. Some connectors may be unused based on your sauna's age.

## 5. Swap Wire Connectors One by One

Disconnect each wire from the old power supply and connect it to the corresponding spot on the new power supply.



**For best accuracy please follow this order:**

**Note:** Connectors listed below with an asterisk (\*) may not be present in your sauna due to changes/additions made over the years. If your sauna does not have a match for these connections, simply leave it loose.

## Sanctuary Models

### 1. Rear-right of power supply:

- a. Power cord (black, white, yellow/green)
- b. Ground (green)
- c. Heaters (black, white, labeled 1-4)
- d. Upgrade outlet (red, black)

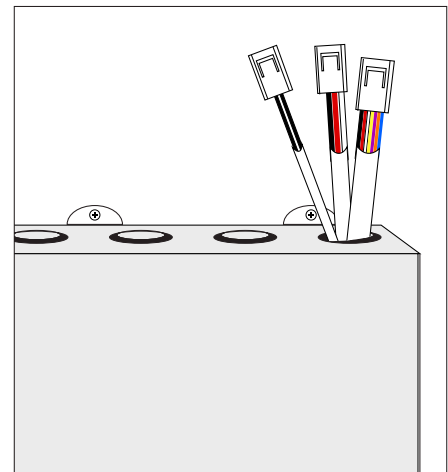
### 2. Rear-left of power supply:

- e. Temperature sensor (black, black)
- f. \*Smoke detector (red, black, purple)
- g. \*Heat film sensor (white, white)

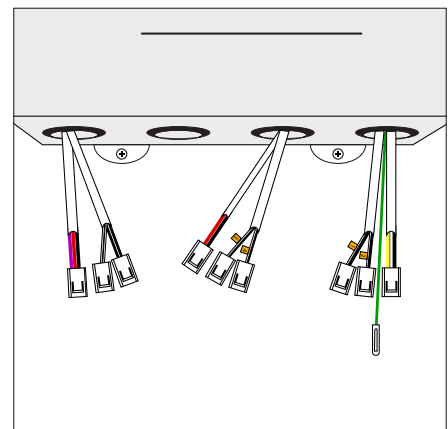
### 3. Front of power supply:

- a. Data cable (8-wire, multicolor)
- b. Inside light (black, black, labeled 5)  
**Important:** Must match connector labeled '5'
- c. Outside light (red/black or white/black)  
**Important:** Do not mix with inside light connection
- d. USB (black, black, connects to orange)
- e. 12V accessories (black, black, unlabeled)

Front



Rear



### **6. Final Checks**

Ensure all connectors are securely attached.

### **7. Test the Sauna**

Plug in the sauna, power it on, and set the time and temperature. Check that all functions are working properly.

### **8. Replace the Roof Cover**

If everything is working correctly, remove the old power supply and screw the new one into place. Then replace the roof cover and close any doors.

**For assistance, contact the service department at 1-800-798-1779.**